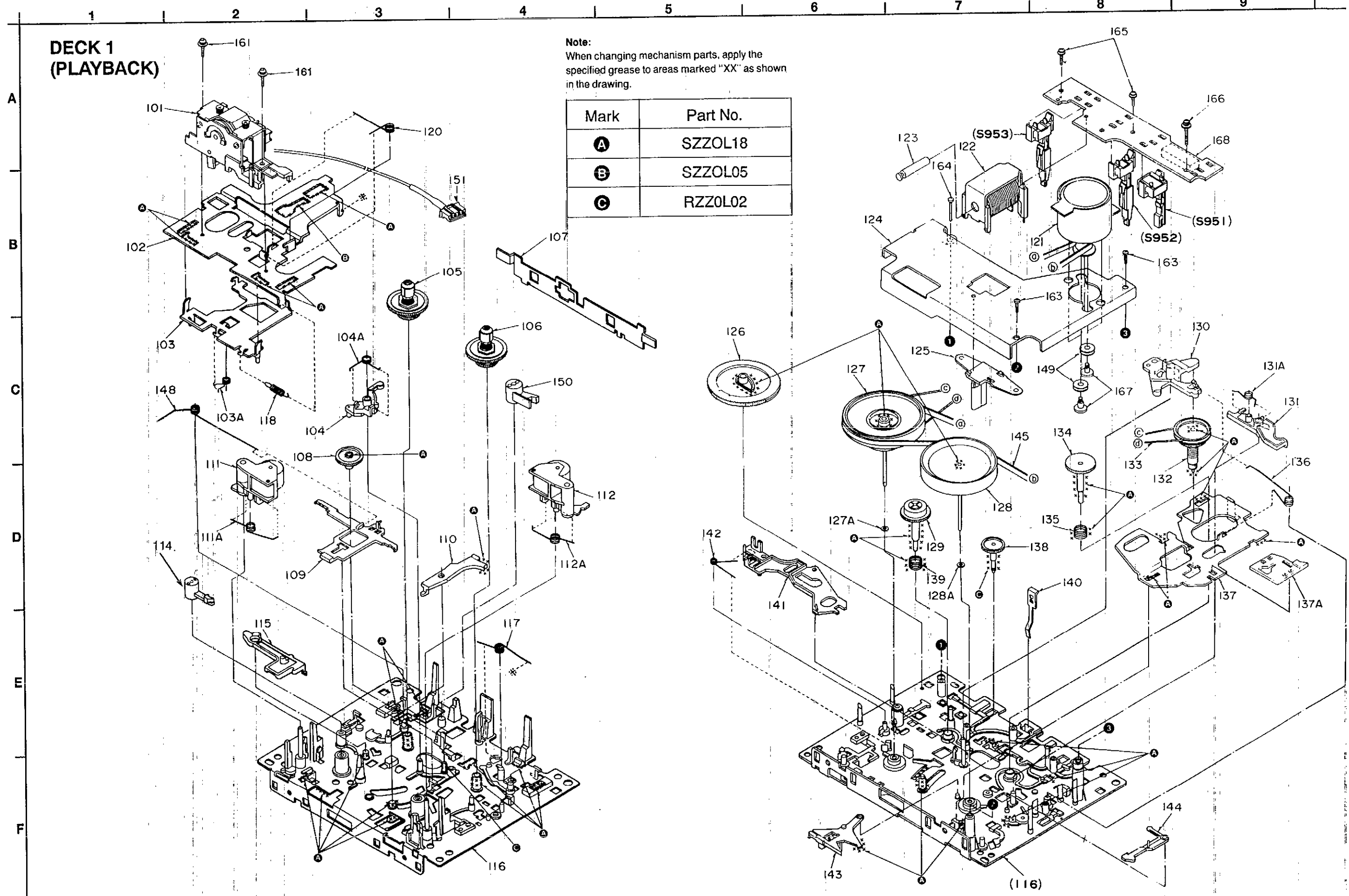


MECHANISM PARTS LOCATION (DECK 1: RAA0355)



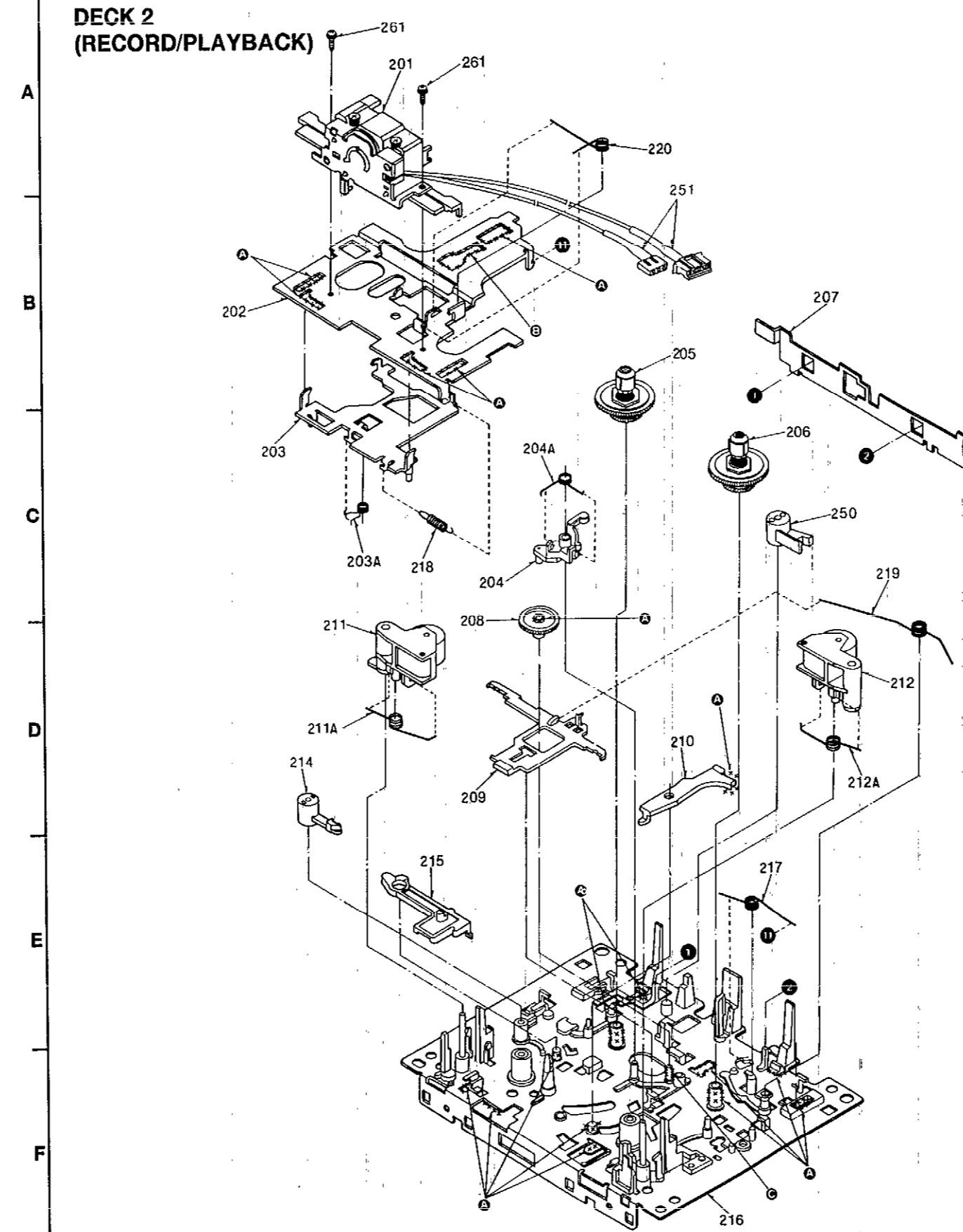
MECHANISM PARTS LOCATION

Note: [M] mark in remarks column indicates parts that are supplied by MESARemarks

Ref. No	Part No.	Part Name & Description	Remarks	Ref. No	Part No.	Part Name & Description	Remarks
				DECK 1			
	137A	RUB512ZB	ROD				
	138	RDG5773ZB	GEAR				
	139	RUQ112ZA	SPRING				
	140	RUS609ZC	SPRING				
101	RXQ0292	HEAD BLOCK ASS'Y		141	RUB514ZC	LEVER	
102	RUA793ZF	CHASSIS		142	RUW147ZA	SPRING	
103	RZLAR300A	LEVER ASS'Y		143	RUB515ZA	LEVER	
103A	RUW143ZA	SPRING		144	RUB509ZA	LEVER	
104	IUB0089Z	ARM		145	RDV108ZA	BELT	
104A	RUW148ZA	SPRING		148	RUW144ZA	SPRING	
105	IDM0018ZB	REEL TABLE ASS'Y		149	RHG3032ZA	RUBBER	
106	IDM0017ZB	REEL TABLE ASS'Y		150	RNL180ZB	LEVER	
107	RML0069-1	LEVER		151	REX0450	LEAD WIRE BLOCK (4P)	[M]
108	RDG5772ZC	GEAR		161	XTW2+6L	SCREW	
109	RUB508ZB	LEVER		163	XTN26+7J	SCREW	
110	RUB506ZB	LEVER		164	RHE5203ZA	SCREW	
111	IUB0088ZB	PINCH ROLLER		165	XTW2+8S	SCREW	
111A	RUW141ZA	SPRING		166	XYC2+JF16	SCREW	
112	IUB0087ZB	PINCH ROLLER		167	RHD26002	SCREW	
112A	RUW140ZB	SPRING		168	RJS7T7ZA	CONNECTOR (J951)	
114	RNL1ZD	ARM					
115	RUB503ZD	LEVER					
116	RZUAR300A	CHASSIS ASS'Y					
117	RUW142ZA	SPRING					
118	RUD105ZA	SPRING					
120	RUW139ZA	SPRING					
121	RFM133ZA	MOTOR ASS'Y					
122	IUE0015ZB	PLUNGER					
123	RUB428ZE	SHAFT					
124	RUL1030YA	PLATE					
125	RMD5014ZC	SPACER					
126	RDG5927ZG	GEAR					
127	IDW0037ZB	FLYWHEEL ASS'Y					
127A	RNW139ZA	WASHER					
128	IDW0038ZB	FLYWHEEL ASS'Y					
128A	RNW138ZA	WASHER					
129	IDG0006ZB	GEAR ASS'Y					
130	RUB513ZD	ARM					
131	IUB0091Z	LEVER					
131A	RUW146ZA	SPRING					
132	IDR0011ZB	PULLEY ASS'Y					
133	RDV90ZB	BELT					
134	RDG5769ZA	GEAR					
135	RUQ111ZB	SPRING					
136	RUW145ZA	SPRING					
137	IUB0090ZA	ROD					

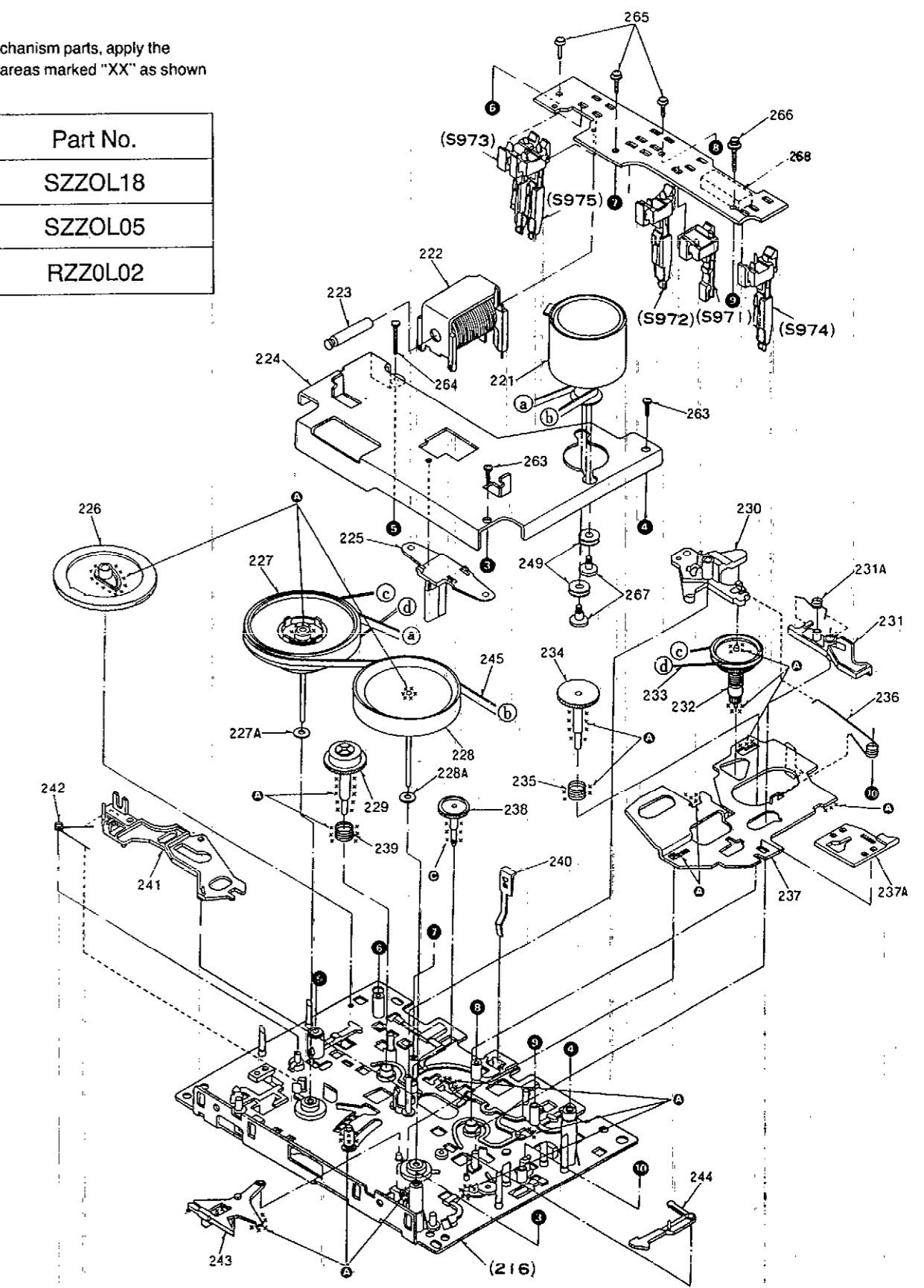
MECHANISM PARTS LOCATION (DECK 2: RAA0356)

Ref. No	Part No.	Part Name & Description	Remarks	Ref. No	Part No.	Part Name & Description	Remarks
DECK 2							
201	RXQ0291	HEAD BLOCK ASS'Y		238	RDG5773ZA	GEAR	
202	RUA793ZF	CHASSIS		239	RUQ112ZA	SPRING	
203	RZLAR300A	LEVER ASS'Y		240	RUS609ZC	SPRING	
203A	RUW143ZA	SPRING		241	RUB514ZC	LEVER	
204	IUB0089Z	ARM		242	RUW147ZA	SPRING	
204A	RUW148ZA	SPRING		243	RUB515ZA	LEVER	
205	IDM0018ZB	REEL TABLE ASS'Y		244	RUB509ZA	LEVER	
206	IDM0017ZB	REEL TABLE ASS'Y		245	RDV108ZA	BELT	
207	RML0069-1	LEVER		249	RHG3032ZA	RUBBER	
208	RDG5772ZC	GEAR		250	RNL180ZB	LEVER	
209	RUB508ZB	LEVER		251	REX0305	LEAD WIRE BLOCK (5P)	[M]
210	RUB506ZB	LEVER		261	XTW2+6L	SCREW	
211	IUB0088ZB	PINCH ROLLER		263	XTN26+7J	SCREW	
211A	RUW141ZA	SPRING		264	RHE5203ZA	SCREW	
212	IUB0087ZB	PINCH ROLLER		265	XTW2+8S	SCREW	
212A	RUW140ZB	SPRING		266	XYC2+JF16	SCREW	
214	RNL12ZD	ARM		267	RHD26002	SCREW	
215	RUB503ZD	LEVER		268	RJS10T7ZA	SOCKET (J971)	
216	RZUAR300A	CHASSIS ASS'Y					
217	RUW142ZA	SPRING					
218	RUD105ZA	SPRING					
219	RUW144ZA	SPRING					
220	RUW139ZA	SPRING					
221	RFM133ZA	MOTOR ASS'Y					
222	IUE0015ZB	PLUNGER					
223	RUB428ZE	SHAFT					
224	RUL1030YA	PLATE					
225	RMD5014ZC	SPACER					
226	RDG5927ZG	GEAR					
227	IDW0037ZB	FLYWHEEL ASS'Y					
227A	RNW139ZA	WASHER					
228	IDW0038ZB	FLYWHEEL ASS'Y					
228A	RNW138ZA	WASHER					
229	IDG0006ZB	GEAR ASS'Y					
230	RUB513ZD	LEVER					
231	IUB0091Z	LEVER					
231A	RUW146ZA	SPRING					
232	IDR0011ZB	PULLEY ASS'Y					
233	RDV90ZB	BELT					
234	RDG5769ZA	GEAR					
235	RUQ111ZB	SPRING					
236	RUW145ZA	SPRING					
237	IUB0090ZA	ROD					
237A	RUB512ZB	ROD					

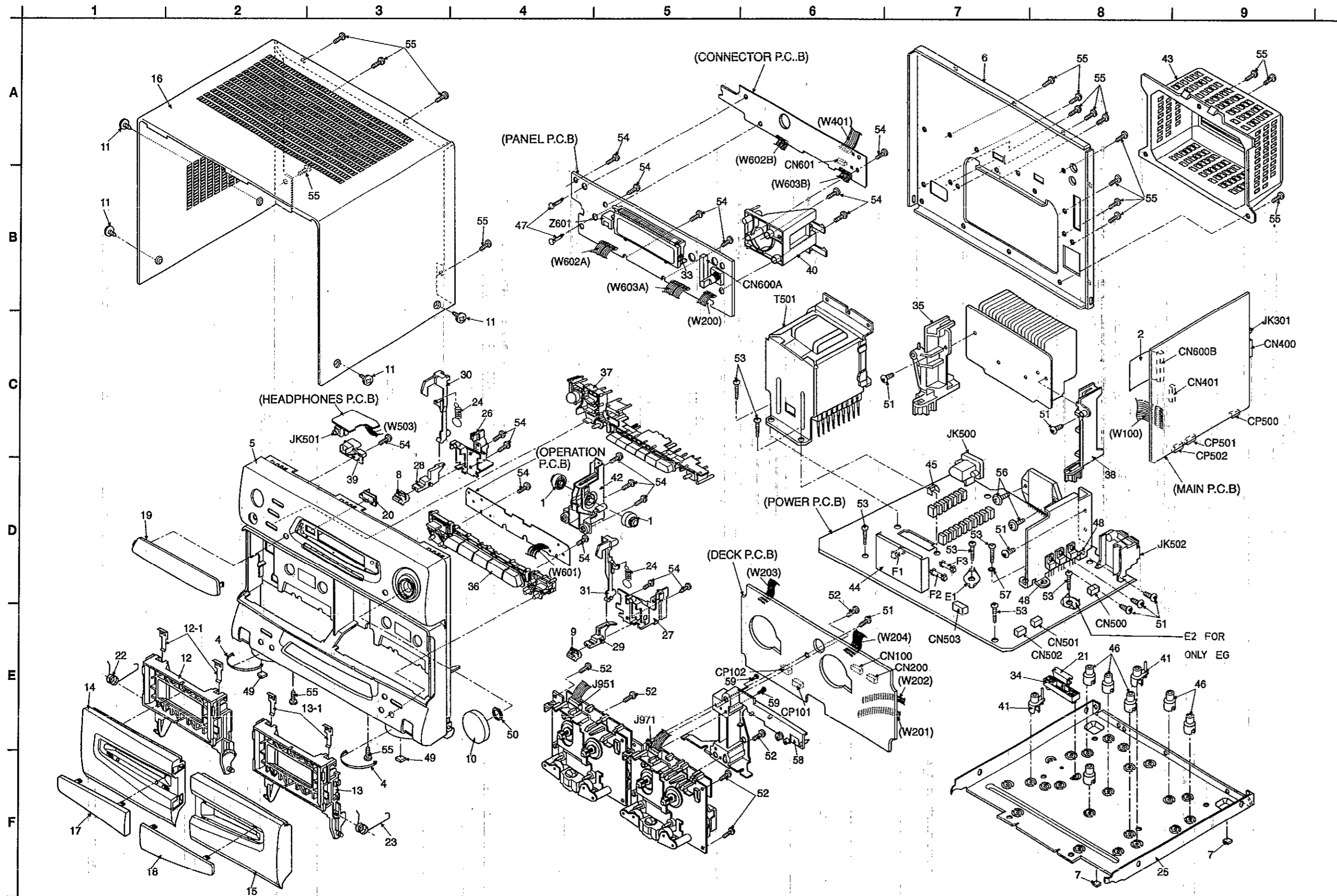


Note:
When changing mechanism parts, apply the specified grease to areas marked "XX" as shown in the drawing.

Mark	Part No.
A	SZZOL18
B	SZZOL05
C	RZZOL02



■ CABINET PARTS LOCATION



■ REPLACEMENT PARTS LIST

Notes:

- * Important safety notice : Components identified by Δ mark have special characteristics important for safety. Furthermore, special parts which have purposes of fire-retardant (resistors), high-quality sound (capacitors), low-noise (resistors), etc. are used.
- When replacing any of components, be sure to use only manufacturer's specified parts shown in the parts list.
- The parenthesized indications in the Remarks columns specify the areas. (refer to the cover page for area.)
- Parts without these indications can be used for all areas.
- [M] indicates in Remarks columns parts that are supplied by MESA.
- [VRD] indicates parts that are supplied by Video Recorder Division.
- The "(SF)" mark denotes the standard part.
- * Remote Control Unit: Supply period for three years from termination of production.

Ref. No	Part No.	Part Name & Description	Remarks	Ref. No	Part No.	Part Name & Description	Remarks
				36	RGU1006-K	CASSETTE BUTTON	[M]
				37	RGU1005-K	GEQ BUTTON	[M]
				38	RMR0654-K	HEAT SINK SUPPORT (R)	[M]
1	RDG0129	DAMPER GEAR	[M]	39	RMR0730-X	HP JACK HOLDER	[M]
2	REE0546	FFC (PANEL-MAIN)	[M]	40	RMR0731-X	MAIN PCB SUPPORT	[M]
4	RGK0608-N	FOOT ORNAMENT	[M]	41	RMR0741-X	PCB SUPPORT (PIN)	[M]
5	RGF0373-K	FRONT PANEL	[M]	42	RMS0401	DAMPER GEAR HOLDER	[M]
6	RGR0182A-A	REAR PANEL	[M](E/EB)	43	RMV0058	HEAT SINK COVER	[M]
6	RGR0182A-C	REAR PANEL	[M](EG)	44	RSC0311	SHIELD PLATE	[M]
7	RKA0059-K	LEG RUBBER	[M]	45	RSC0332	PROTECTION PLATE	[M]
8	RGU1007-K	EJECT KNOB (L)	[M]	46	SHE187-3	PCB SUPPORT	
9	RGU1008-K	EJECT KNOB (R)	[M]	47	SHR8005	PCB SUPPORT	
10	RGW0194-K	VOL. KNOB	[M]	48	SHR9094	PLASTIC RIVET	
11	RHD30007	SCREW		49	SHS3276	LEG FELT	[M]
12	RFKLACH455P3	CASS. HOLDER ASS'Y (L)	[M]	50	XNS9D	NUT	
12-1	RUS757ZAA	CASS. HALF SPRING	[M]	51	XTB3+12CFN	SCREW	
13	RFKLACH455P4	CASS. HOLDER ASS'Y (R)	[M]	52	XTB3+12JFR	SCREW	
13-1	RUS757ZAA	CASS. HALF SPRING	[M]	53	XTB3+20J	SCREW	
14	RKF0355-K	CASSETTE LID (L)	[M]	54	XTBS26+10J	SCREW	
15	RKF0356-K	CASSETTE LID (R)	[M]	55	XTBS3+8JFZ1	SCREW	
16	RKM0247Z-K	CABINET	[M]	56	XTW3+15T	SCREW	
17	RKW0321-Q	CASSETTE WINDOW (L)	[M]	57	XWA3B	SPRING WASHER	
18	RKW0322-Q	CASSETTE WINDOW (R)	[M]	58	RMK0059-1E	CASSETTE P.C.B. SUPPORT	[M]
19	RKW0323-Q	FL WINDOW	[M]	59	XTV26+6F	SCREW	
20	RKW0324-Q	SENSOR FILTER	[M]				
21	RMA0678	TRANS. SUPPORT ANGLE	[M]				
22	RMB0293	OPEN SPRING (L)	[M]				
23	RMB0294	OPEN SPRING (R)	[M]				
24	RMB0295	EJECT SPRING	[M]				
25	RMK0199	BOTTOM CHASSIS	[M]				
26	RML0301	EJECT LEVER STAND (L)	[M]				
27	RML0302	EJECT LEVER STAND (R)	[M]				
28	RML0303	EJECT LEVER (L)	[M]				
29	RML0304	EJECT LEVER (R)	[M]				
30	RMM0102	EJECT ROD (L)	[M]				
31	RMM0103	EJECT ROD (R)	[M]				
33	RMN0253	FL HOLDER	[M]				
34	RMR0651-K	TRANS. SUPPORT	[M]				
35	RMR0653-K	HEAT SINK SUPPORT (L)	[M]				

Ref. No	Part No.	Part Name & Description	Remarks	Ref. No	Part No.	Part Name & Description	Remarks
		INTEGRATED CIRCUITS		Q203	2SD965RTA	TRANSISTOR	
				Q204	2SK301QTA	TRANSISTOR	[M]
IC101	M51167BFP-E1	IC, R/P		Q205	RVTDTC144TST	TRANSISTOR	
IC102	BA7755A	IC, SWITCH		Q206	2SB621RTA	TRANSISTOR	
IC103	CXA1102M-T4	IC, DOLBY		Q207	2SB621RTA	TRANSISTOR	
IC104	BU4066BF-E2	IC, ANALOG SW		Q208	RVTDTC114TST	TRANSISTOR	
IC105	BU2040F-E2	IC, I/O	[M]	Q209	RVTDTC114TST	TRANSISTOR	
IC301	UPD4052BG-E2	IC, ANALOG SW	[M]	Q218	RVTDTA114EST	TRANSISTOR	
IC302	M62408FP	IC, AUDIO		Q219	RVTDTA143XST	TRANSISTOR	
IC305	BA4558FDXE2	IC, OP AMP	[M]	Q220	RVTDTA143XST	TRANSISTOR	
IC306	BA4558FDXE2	IC, OP AMP	[M]	Q300	RVTDTA144TST	TRANSISTOR	
IC501	SVI3101D	IC, HIC	△	Q301	2SC1740SSTA	TRANSISTOR	
IC601	M38173M6272	IC, MICROPROCESSOR	[M]	Q302	2SC1740SSTA	TRANSISTOR	
IC603	LA5608M-TE-L	IC, RESET		Q307	2SD1020HTA	TRANSISTOR	[M]
IC604	BA4558FDXE2	IC, OP AMP	[M]	Q308	2SD1020HTA	TRANSISTOR	[M]
IC951	DN6851ALB	IC, HALL (DECK 1)		Q309	2SC1740SSTA	TRANSISTOR	
IC971	DN6851ALB	IC, HALL (DECK 2)		Q310	2SC1740SSTA	TRANSISTOR	
		TRANSISTORS		Q311	2SC1740SSTA	TRANSISTOR	
				Q312	RVTDTA124EST	TRANSISTOR	
Q101	2SJ40CDTA	TRANSISTOR		Q313	RVTDTC124EST	TRANSISTOR	[M]
Q102	2SJ40CDTA	TRANSISTOR		Q315	2SC1740SLNST	TRANSISTOR	
Q103	2SJ40CDTA	TRANSISTOR		Q316	2SC1740SLNST	TRANSISTOR	
Q104	2SJ40CDTA	TRANSISTOR		Q317	2SJ40CTA	TRANSISTOR	
Q105	RVTDTC144TST	TRANSISTOR		Q318	2SJ40CTA	TRANSISTOR	
Q106	RVTDTC144TST	TRANSISTOR		Q319	2SK381CTA	TRANSISTOR	
Q107	RVTDTC144TST	TRANSISTOR		Q320	2SK381CTA	TRANSISTOR	
Q108	RVTDTC144TST	TRANSISTOR		Q321	2SC1740SSTA	TRANSISTOR	
Q109	RVTDTC144TST	TRANSISTOR		Q322	2SC1740SSTA	TRANSISTOR	
Q110	RVTDTC144TST	TRANSISTOR		Q323	2SC1740SSTA	TRANSISTOR	
Q115	2SD1020HTA	TRANSISTOR	[M]	Q324	2SC1740SSTA	TRANSISTOR	
Q116	2SD1020HTA	TRANSISTOR	[M]	Q325	RVTDTA114TST	TRANSISTOR	
Q117	RVTDTC144EST	TRANSISTOR		Q326	RVTDTA114TST	TRANSISTOR	
Q151	RVTDTC144TST	TRANSISTOR		Q327	RVTDTA124EST	TRANSISTOR	
Q152	RVTDTC144TST	TRANSISTOR		Q328	RVTDTC124EST	TRANSISTOR	[M]
Q153	2SC1740SLNET	TRANSISTOR		Q500	2SA933SSTA	TRANSISTOR	
Q154	2SC1740SLNET	TRANSISTOR		Q503	2SD2037ETA	TRANSISTOR	[M]
Q171	2SD1450STA	TRANSISTOR		Q505	2SD1762EF	TRANSISTOR	
Q173	RVTDTC144TST	TRANSISTOR		Q506	2SB1185E	TRANSISTOR	△
Q174	2SC1740SSTA	TRANSISTOR		Q507	2SD1273P	TRANSISTOR	
Q175	2SD1450STA	TRANSISTOR		Q508	2SB621ARTA	TRANSISTOR	△
Q176	2SD1450STA	TRANSISTOR		Q509	2SC2785FTA	TRANSISTOR	△
Q179	2SC2784FTA	TRANSISTOR	[M]	Q510	2SA564RTA	TRANSISTOR	
Q180	2SC2784FTA	TRANSISTOR	[M]	Q511	2SD1762EF	TRANSISTOR	△
Q201	2SD965RTA	TRANSISTOR		Q512	2SC1740SSTA	TRANSISTOR	
Q202	2SK301QTA	TRANSISTOR	[M]	Q513	2SC1740SSTA	TRANSISTOR	
				Q601	2SC1740SSTA	TRANSISTOR	
				Q602	2SC1740SSTA	TRANSISTOR	

Ref. No	Part No.	Part Name & Description	Remarks	Ref. No	Part No.	Part Name & Description	Remarks
		DIODES		D622	RVD1SS133TA	DIODE	
				D951	RVD1SS133TA	DIODE (DECK 1)	
				D971	RVD1SS133TA	DIODE (DECK 2)	
D171	RVD1SS133TA	DIODE				VARIABLE RESISTORS	
D172	RVDMTZ4R7BTA	DIODE		VR101	RVNCC24B1T-A	VR, PB GAIN (D1 L)	
D173	RVD1SS133TA	DIODE		VR102	RVNCC24B1T-A	VR, PB GAIN (D1 R)	
D174	RVDMTZ3R6BTA	DIODE	[M]	VR103	RVNCC24B1T-A	VR, PB GAIN (D2 L)	
D301	RVD1SS133TA	DIODE		VR104	RVNCC24B1T-A	VR, PB GAIN (D2 R)	
D302	RVD1SS133TA	DIODE		VR201	RVNCC73B1T-A	VR, SPEED (D1 NOR)	
D303	RVD1SS133TA	DIODE		VR202	RVNCC24B1T-A	VR, SPEED (D2 NOR)	
D305	RVDMTZ8R2CTA	DIODE	[M]	VR203	RVNCC14B1T-A	VR, SPEED (D2 HIGH)	
D306	RVD1SS133TA	DIODE		VR601	RRV16B24104A	VR, VOLUME	[M]
D307	RVD1SS133TA	DIODE				SWITCHES	
D308	RVD1SS133TA	DIODE		S601	EVQ21405R	SW, EDIT LOW	
D309	RVDMTZ6R8BTA	DIODE		S602	EVQ21405R	SW, EDIT HIGH	
D500	RVD1SS133TA	DIODE		S603	EVQ21405R	SW, DECK 1/2	
D501	RVD1SS133TA	DIODE		S604	EVQ21405R	SW, REC PAUSE	
D502	RVDMTZ6R8ATA	DIODE	[M]	S605	EVQ21405R	SW, TPS REV	
D503	1D3E	DIODE	[M] △	S606	EVQ21405R	SW, REV PLAY	
D504	1D3E	DIODE	[M] △	S607	EVQ21405R	SW, FWD PLAY*	
D505	RVDMTZ6R2ATA	DIODE	[M]	S608	EVQ21405R	SW, TPS FWD	
D507	RVDMTZ15CTA	DIODE	[M]	S609	EVQ21405R	SW, STOP	
D508	RVDMTZ8R2CTA	DIODE	[M]	S610	EVQ21405R	SW, REV MODE	
D509	1D3E	DIODE	[M]	S611	EVQ21405R	SW, DOLBY	
D510	1D3E	DIODE	[M]	S612	EVQ21405R	SW, COUNT RESET	
D511	1N5402BM21	DIODE	△	S613	EVQ21405R	SW, POWER	
D512	1N5402BM21	DIODE	△	S614	EVQ21405R	SW, V BASS	
D513	1N5402BM21	DIODE	△	S615	EVQ21405R	SW, DOWN	
D514	1N5402BM21	DIODE	△	S616	EVQ21405R	SW, UP	
D516	RVDMTZ15CTA	DIODE	[M]	S617	EVQ21405R	SW, REC TIMER	
D517	1D3E	DIODE	[M]	S618	EVQ21405R	SW, PLAY TIMER	
D518	MA4300HTA	DIODE	△	S619	EVQ21405R	SW, CLOCK/TIMER	
D519	RVDMTZ5R1BTA	DIODE		S620	EVQ21405R	SW, SET	
D520	RVDMTZ10BTA	DIODE	△	S621	EVQ21405R	SW, EQ ON/FLAT	
D602	RVDMTZ4R7BTA	DIODE		S622	EVQ21405R	SW, EQ MODE	
D603	RVD1SS133TA	DIODE		S623	EVQ21405R	SW, SPACE MODE	
D604	RVD1SS133TA	DIODE		S624	EVQ21405R	SW, DISPLAY	
D605	RVD1SS133TA	DIODE		S951	RSH1A89ZD-U	SW, MODE DETECT (1)	
D606	RVD1SS133TA	DIODE		S952	RSH1A90YD-U	SW, TAPE DETECT (1)	
D607	RVD1SS133TA	DIODE		S953	RSH1A90YD-U	SW, CrO2 DETECT (1)	
D608	RVD1SS133TA	DIODE		S971	RSH1A89ZD-U	SW, MODE DETECT (2)	
D610	1SS291TA	DIODE		S972	RSH1A90YD-U	SW, TAPE DETECT (2)	
D611	RVD1SS133TA	DIODE		S973	RSH1A90YD-U	SW, TAB DETECT (2)	(REV)
D612	RVD1SS133TA	DIODE					
D613	RVD1SS133TA	DIODE					
D617	RVD1SS133TA	DIODE					
D621	RVD1SS133TA	DIODE					

Ref. No	Part No.	Part Name & Description	Remarks	Ref. No	Part No.	Part Name & Description	Remarks
S974	RSH1A90YD-U	SW, TAB DETECT (2)	(FWD)	L501	SLQY07G-40	SP COIL	
S975	RSH1A90YD-U	SW, CrO2 DETECT (2)		L502	SLQY07G-40	SP COIL	
		CONNECTORS		L601	RLQZP3R3KT-Y	AXIAL COIL	
				T501	RTP1M3B005	POWER TRANSFORMER	[M]△
CN100	RJS10T4ZA	10P CONNECTOR				COMPONENT COMBINATIONS	
CN200	RJS8T4ZA	8P CONNECTOR					
CN400	RJT065K15	AB CONNECTOR		Z101	EXBF6L306SYV	BLOCK RESISTOR	
CN401	RJS1A5206	7P CONNECTOR	[M]	Z102	EXBF6L306SYV	BLOCK RESISTOR	
CN500	SJS50778JQ	7P CONNECTOR		Z103	EXBF6L306SYV	BLOCK RESISTOR	
CN501	SJS50778JQ	7P CONNECTOR		Z501	BL02RN2R65T2	BEAD CORE	(EG)
CN502	SJS50778JQ	7P CONNECTOR		Z502	BL02RN2R65T2	BEAD CORE	(EG)
CN503	RJS1A5205	5P CONNECTOR	[M]	Z503	BL02RN2R65T2	BEAD CORE	(EG)
CN510	RJS1A1101T1	PIN CONNECTOR		Z601	RCDHC-278N	REMOCON SENSOR	[M]
CN511	RJS1A1101T1	PIN CONNECTOR				OSCILLATORS	
CN512	RJS1A1101T1	PIN CONNECTOR					
CN513	RJS1A1101T1	PIN CONNECTOR		X601	RSXZ4M19M01T	OSCILLATOR	
CN520	RJS1A1101T1	PIN CONNECTOR		X602	RSXD32K7S02	OSCILLATOR 32.768kHz	[M]
CN521	RJS1A1101T1	PIN CONNECTOR				DISPLAY TUBE	
CN522	RJS1A1101T1	PIN CONNECTOR					
CN523	RJS1A1101T1	PIN CONNECTOR					
CN524	RJS1A1101T1	PIN CONNECTOR		FL601	RSL0164-F	FL DISPLAY	[M]
CN525	RJS1A1101T1	PIN CONNECTOR				FUSES	
CN526	RJS1A1101T1	PIN CONNECTOR					
CN527	RJS1A1101T1	PIN CONNECTOR		F1	XBA2C10TB0	FUSE	△
CN528	RJS1A1101T1	PIN CONNECTOR		F2	XBA2C08TB0	FUSE	△
CN529	RJS1A1101T1	PIN CONNECTOR		F3	XBA2C08TB0	FUSE	△
CN600A	RJS1A6223-1	23P CONNECTOR				FUSE CLIP	
CN600B	RJS1A6823	23P CONNECTOR					
CN601	RJS1A5207	7P CONNECTOR		FC1	EYF52BC	FUSE HOLDER	
CP101	RJP5G18ZA	5P CONNECTOR		FC2	EYF52BC	FUSE HOLDER	
CP102	RJP4G18ZA	4P CONNECTOR		FC3	EYF52BC	FUSE HOLDER	
CP103	RJP3G1ZA	PLUG		FC4	EYF52BC	FUSE HOLDER	
CP500	RJP7G9YA	7P CONNECTOR	[M]	FC5	EYF52BC	FUSE HOLDER	
CP501	RJP7G9YA	7P CONNECTOR	[M]	FC6	EYF52BC	FUSE HOLDER	
CP502	RJP7G9YA	7P CONNECTOR	[M]			EARTH TERMINALS	
J951	RJS7T7ZA	CONNECTOR (DECK 1)					
J971	RJS10T7ZA	CONNECTOR (DECK 2)		E1	SNE1004-1	EARTHPLATE	
		COILS & TRANSFORMERS		E2	SNE1004-1	EARTHPLATE	(EG)
L103	RLE2B001-1M	TRAP COIL	[M]				
L104	RLE2B001-1M	TRAP COIL	[M]				
L201	RL08C002M-T	BIAS OSC COIL					
L202	RLQZB470KT-D	RF CHOKE COIL					
L300	RLQZPR47KT-Y	AXIAL COIL					
L500	SLQZ650MH49	AC LINE COIL	△				

Ref. No	Part No.	Part Name & Description	Remarks	Ref. No	Part No.	Part Name & Description	Remarks
		RELAYS					
RLY501	RSY0013-0	RELAY	△				
RLY502	RSY0013-0	RELAY	△				
		JACKS					
JK301	RJH3209N	JACK, RCA	[M]				
JK500	SJS9236	JACK, AC INLET	△				
JK501	RJJ37TK01-C	JACK, HP	[M]				
JK502	RJR0054	JACK, SP TERMINAL					
		PACKING MATERIALS					
P1	SPB1061	BAG					
P3	RPF0100	BAG (SET)	[M]				
P4	RPN0761	POLYFOAM	[M]				
P5	RPG1901	GIFT BOX	[M](E/EG)				
P5	RPG1902	GIFT BOX	[M](EB)				
P6	SPSD155	ACCESSORY CASE					
		ACCESSORIES					
A1	EUR642182	REMOTE CONTROL UNIT	[M]				
A2/△	VJA0733	AC CORD	[VRD](EB)(SF)				
A2/△	RJA0019-2K	AC CORD	(E/EG)(SF)				
A3	SJP9009	ANT ADAPTER	(EG)				
A4	RFKSUCH40EK	INST. MANUAL ASS'Y	[M](E)				
A4	RQT2230-E	INSTRUCTION MANUAL	[M](EG)				
A4	RQT2232-B	INSTRUCTION MANUAL	[M](EB)				
A5	SLA9Z5T	LOOP ANT	[M]				
A7	SSA270M	FM ANT					
A8	XTN3+12AFZ	SCREW					
A9	REX0581	BUS CABLE	[M]				
A10	RMN0244	ANT HOLDER					

RESISTORS & CAPACITORS

Notes : * Capacitor values are in microfarad (μF) unless specified otherwise, P=Pico-farads (pF) F=Farads (F)
 * Resistors values are in ohms, unless specified otherwise, 1k=1,000(OHM), 1M=1,000k(OHM)

Ref. No.	Part No.	Values & Remarks	Ref. No.	Part No.	Values & Remarks	Ref. No.	Part No.	Values & Remarks
	RESISTORS		R152	ERDS2TJ105T	1M 1/4W	R220	ERDS2TJ472T	4.7K 1/4W
			R153	ERDS2TJ102T	1K 1/4W	R221	ERDS2TJ2R7T	2.7 1/4W
			R154	ERDS2TJ102T	1K 1/4W	R225	ERDS2TJ2R7T	2.7 1/4W
R101	ERD25TJ334T	330K 1/4W	R155	ERDS2TJ221T	220 1/4W	R226	ERDS2TJ102T	1K 1/4W
R102	ERDS2TJ104T	100K 1/4W	R156	ERDS2TJ221T	220 1/4W	R227	ERDS2TJ102T	1K 1/4W
R103	ERDS2TJ153T	15K 1/4W	R158	ERDS2TJ221T	220 1/4W	R228	ERDS2TJ472T	4.7K 1/4W
R104	ERDS2TJ153T	15K 1/4W	R159	ERDS2TJ222T	2.2K 1/4W	R229	ERDS2TJ103T	10K 1/4W
R105	ERDS2TJ271T	270 1/4W	R160	ERDS2TJ222T	2.2K 1/4W	R230	ERDS2TJ472T	4.7K 1/4W
R106	ERD25TJ222T	2.2K 1/4W	R161	ERDS2TJ472T	4.7K 1/4W	R231	ERDS2TJ472T	4.7K 1/4W
R107	ERDS2TJ330T	33 1/4W	R162	ERDS2TJ472T	4.7K 1/4W	R232	ERDS2TJ222T	2.2K 1/4W
R108	ERDS2TJ330T	33 1/4W	R163	ERDS2TJ433T	43K 1/4W	R233	ERD25TJ222T	2.2K 1/4W
R109	ERDS2TJ392T	3.9K 1/4W	R169	ERDS2TJ102T	1K 1/4W	R234	ERDS2TJ472T	4.7K 1/4W
R110	ERDS2TJ392T	3.9K 1/4W	R170	ERDS2TJ102T	1K 1/4W	R235	ERDS2TJ104T	100K 1/4W
R111	ERDS2TJ222T	2.2K 1/4W	R172	ERDS2TJ331T	330 1/4W	R236	ERDS2TJ104T	100K 1/4W
R112	ERDS2TJ222T	2.2K 1/4W	R173	ERDS2TJ103T	10K 1/4W	R300	ERDS2TJ102T	1K 1/4W
R113	ERDS2TJ122T	1.2K 1/4W	R174	ERDS2TJ103T	10K 1/4W	R301	ERDS2TJ183T	18K 1/4W
R114	ERDS2TJ122T	1.2K 1/4W	R176	ERDS2TJ103T	10K 1/4W	R302	ERDS2TJ183T	18K 1/4W
R115	ERDS2TJ225T	2.2M 1/4W	R177	ERDS2TJ682T	6.8K 1/4W	R303	ERDS2TJ223T	22K 1/4W
R116	ERDS2TJ225T	2.2M 1/4W	R178	ERDS2TJ1R2T	1.2 1/4W	R304	ERDS2TJ223T	22K 1/4W
R117	ERDS2TJ105T	1M 1/4W	R179	ERDS2TJ472T	4.7K 1/4W	R305	ERDS2TJ472T	4.7K 1/4W
R118	ERDS2TJ105T	1M 1/4W	R180	ERDS2TJ472T	4.7K 1/4W	R306	ERDS2TJ472T	4.7K 1/4W
R121	ERDS2TJ124T	120K 1/4W	R181	ERD25TJ332T	3.3K 1/4W	R307	ERDS2TJ102T	1K 1/4W
R122	ERDS2TJ124T	120K 1/4W	R182	ERDS2TJ1R0T	1 1/4W	R308	ERDS2TJ102T	1K 1/4W
R123	ERDS2TJ473T	47K 1/4W	R183	ERDS2TJ104T	100K 1/4W	R309	ERDS2TJ182T	1.8K 1/4W
R124	ERDS2TJ473T	47K 1/4W	R184	ERDS2TJ104T	100K 1/4W	R310	ERDS2TJ182T	1.8K 1/4W
R125	ERDS2TJ472T	4.7K 1/4W	R185	ERDS2TJ104T	100K 1/4W	R311	ERDS2TJ273T	27K 1/4W
R126	ERDS2TJ472T	4.7K 1/4W	R186	ERDS2TJ102T	1K 1/4W	R312	ERDS2TJ273T	27K 1/4W
R127	ERDS2TJ392T	3.9K 1/4W	R188	ERDS2TJ102T	1K 1/4W	R313	ERDS2TJ332T	3.3K 1/4W
R128	ERDS2TJ392T	3.9K 1/4W	R189	ERDS2TJ472T	4.7K 1/4W	R314	ERDS2TJ332T	3.3K 1/4W
R131	ERDS2TJ823T	82K 1/4W	R200	ERDS2TJ221T	220 1/4W	R315	ERDS2TJ822T	8.2K 1/4W
R132	ERDS2TJ335T	3.3M 1/4W	R201	ERDS2TJ2R7T	2.7 1/4W	R316	ERDS2TJ822T	8.2K 1/4W
R133	ERDS2TJ332T	3.3K 1/4W	R202	ERDS2TJ562T	5.6K 1/4W	R317	ERDS2TJ332T	3.3K 1/4W
R134	ERDS2TJ474T	470K 1/4W	R203	ERDS2TJ153T	15K 1/4W	R318	ERDS2TJ332T	3.3K 1/4W
R137	ERD25TJ103T	10K 1/4W	R204	ERDS2TJ123T	12K 1/4W	R319	ERDS2TJ821T	820 1/4W
R138	ERD25TJ103T	10K 1/4W	R205	ERDS2TJ334T	330K 1/4W	R320	ERDS2TJ821T	820 1/4W
R139	ERDS2TJ103T	10K 1/4W	R206	ERDS2TJ221T	220 1/4W	R321	ERDS2TJ682T	6.8K 1/4W
R141	ERDS2TJ682T	6.8K 1/4W	R207	ERDS2TJ2R7T	2.7 1/4W	R322	ERDS2TJ682T	6.8K 1/4W
R142	ERDS2TJ682T	6.8K 1/4W	R208	ERDS2TJ123T	12K 1/4W	R329	ERDS2TJ332T	3.3K 1/4W
R145	ERDS2TJ103T	10K 1/4W	R209	ERDS2TJ123T	12K 1/4W	R330	ERDS2TJ332T	3.3K 1/4W
R146	ERDS2TJ103T	10K 1/4W	R210	ERDS2TJ272T	2.7K 1/4W	R331	ERDS2TJ105T	1M 1/4W
R149	ERDS2TJ272T	2.7K 1/4W	R211	ERDS2TJ334T	330K 1/4W	R332	ERDS2TJ105T	1M 1/4W
R150	ERDS2TJ272T	2.7K 1/4W	R212	ERDS2TJ123T	12K 1/4W	R333	ERDS2TJ272T	2.7K 1/4W
R151	ERDS2TJ105T	1M 1/4W	R213	ERDS2TJ152T	1.5K 1/4W	R334	ERDS2TJ272T	2.7K 1/4W

Ref. No.	Part No.	Values & Remarks	Ref. No.	Part No.	Values & Remarks	Ref. No.	Part No.	Values & Remarks
R335	ERDS2TJ123T	12K 1/4W	R399	ERDS2TJ823T	82K 1/4W	R512	ERDS2TJ103T	10K 1/4W
R336	ERDS2TJ123T	12K 1/4W	R400	ERDS2TJ823T	82K 1/4W	R513	ERD25FVJ820T	82 1/4W
R337	ERDS2TJ223T	22K 1/4W	R401	ERDS2TJ224T	220K 1/4W	R514	ERDS2TJ221T	220 1/4W
R338	ERDS2TJ223T	22K 1/4W	R402	ERDS2TJ224T	220K 1/4W	R515	ERDS1FVJ100T	10 1/2W Δ
R339	ERDS2TJ102T	1K 1/4W	R403	ERDS2TJ223T	22K 1/4W	R516	ERDS1FVJ100T	10 1/2W Δ
R340	ERDS2TJ102T	1K 1/4W	R404	ERDS2TJ223T	22K 1/4W	R517	ERDS2TJ100T	10 1/4W
R341	ERDS2TJ153T	15K 1/4W	R405	ERDS2TJ123T	12K 1/4W	R518	ERDS2TJ100T	10 1/4W
R342	ERDS2TJ153T	15K 1/4W	R406	ERDS2TJ123T	12K 1/4W	R519	ERDS2TJ334T	330K 1/4W
R343	ERDS2TJ824T	820K 1/4W	R407	ERDS2TJ223T	22K 1/4W	R520	ERDS2TJ820T	82 1/4W
R344	ERDS2TJ332T	3.3K 1/4W	R408	ERDS2TJ223T	22K 1/4W	R521	ERDS1FVJ330T	33 1/2W Δ
R345	ERDS2TJ822T	8.2K 1/4W	R411	ERDS2TJ392T	3.9K 1/4W	R522	ERDS1FVJ330T	33 1/2W Δ
R346	ERDS2TJ222T	2.2K 1/4W	R412	ERDS2TJ392T	3.9K 1/4W	R523	ERDS1FVJ272T	2.7K 1/2W Δ
R347	ERDS2TJ183T	18K 1/4W	R413	ERDS2TJ102T	1K 1/4W	R524	ERDS1FVJ330T	33 1/2W Δ
R348	ERDS2TJ103T	10K 1/4W	R414	ERDS2TJ102T	1K 1/4W	R525	ERDS2TJ103T	10K 1/4W
R351	ERDS2TJ273T	27K 1/4W	R415	ERDS2TJ471T	470 1/4W	R526	ERDS2TJ151T	150 1/4W
R352	ERDS2TJ273T	27K 1/4W	R416	ERDS2TJ471T	470 1/4W	R527	ERDS1FVJ182T	1.8K 1/2W Δ
R357	ERDS2TJ103T	10K 1/4W	R419	ERDS2TJ102T	1K 1/4W	R529	ERDS2TJ151T	150 1/4W
R361	ERDS2TJ104T	100K 1/4W	R420	ERDS2TJ102T	1K 1/4W	R530	ERDS1FVJ332T	3.3K 1/2W Δ
R362	ERDS2TJ104T	100K 1/4W	R421	ERDS2TJ151T	150 1/4W	R531	ERDS2TJ103T	10K 1/4W
R363	ERDS2TJ102T	1K 1/4W	R422	ERDS2TJ151T	150 1/4W	R533	ERDS1FVJ330T	33 1/2W Δ
R364	ERDS2TJ102T	1K 1/4W	R423	ERDS2TJ102T	1K 1/4W	R534	ERDS1FVJ820T	82 1/2W Δ
R365	ERDS2TJ222T	2.2K 1/4W	R424	ERDS2TJ102T	1K 1/4W	R535	ERDS1FVJ820T	82 1/2W Δ
R366	ERDS2TJ222T	2.2K 1/4W	R425	ERDS2TJ105T	1M 1/4W	R536	ERDS1FVJ820T	82 1/2W Δ
R369	ERDS2TJ682T	6.8K 1/4W	R426	ERDS2TJ105T	1M 1/4W	R538	ERDS2TJ151T	150 1/4W
R370	ERDS2TJ682T	6.8K 1/4W	R427	ERDS2TJ105T	1M 1/4W	R539	ERDS2TJ332T	3.3K 1/4W Δ
R371	ERDS2TJ332T	3.3K 1/4W	R428	ERDS2TJ105T	1M 1/4W	R540	ERDS2TJ820T	82 1/4W
R372	ERDS2TJ332T	3.3K 1/4W	R432	ERDS2TJ473T	47K 1/4W	R541	ERDS2TJ820T	82 1/4W
R373	ERDS2TJ102T	1K 1/4W	R435	ERDS2TJ152T	1.5K 1/4W	R542	ERDS2TJ820T	82 1/4W
R374	ERDS2TJ102T	1K 1/4W	R436	ERDS2TJ152T	1.5K 1/4W	R543	ERDS2TJ820T	82 1/4W
R381	ERDS2TJ222T	2.2K 1/4W	R437	ERDS2TJ225T	2.2M 1/4W	R545	ERDS1FVJ4R7T	4.7 1/2W
R382	ERDS1FVJ680T	68 1/2W	R438	ERDS2TJ225T	2.2M 1/4W	R546	ERDS1FVJ4R7T	4.7 1/2W
R383	ERDS2TJ222T	2.2K 1/4W	R439	ERDS2TJ225T	2.2M 1/4W	R548	ERDS2TJ102T	1K 1/4W
R384	ERDS2TJ151T	150 1/4W	R440	ERDS2TJ225T	2.2M 1/4W	R549	ERDS2TJ151T	150 1/4W
R385	ERDS2TJ105T	1M 1/4W	R441	ERDS2TJ102T	1K 1/4W	R550	ERDS2TJ681T	680 1/4W
R386	ERDS2TJ105T	1M 1/4W	R442	ERDS2TJ102T	1K 1/4W	R551	ERDS1FVJ330T	33 1/2W Δ
R387	ERDS2TJ100T	10 1/4W	R470	ERDS2TJ101T	100 1/4W	R552	ERDS1FVJ330T	33 1/2W Δ
R388	ERDS2TJ103T	10K 1/4W	R501	ERDS2TJ102T	1K 1/4W	R554	ERDS2TJ471T	470 1/4W
R389	ERDS2TJ102T	1K 1/4W	R502	ERDS2TJ102T	1K 1/4W	R555	ERDS2TJ152T	1.5K 1/4W
R390	ERDS2TJ102T	1K 1/4W	R503	ERDS2TJ332T	3.3K 1/4W	R556	ERD2FCVJ4R7T	4.7 1/4W
R391	ERDS2TJ153T	15K 1/4W	R504	ERDS2TJ332T	3.3K 1/4W	R557	ERDS1FVJ390T	39 1/2W Δ
R392	ERDS2TJ153T	15K 1/4W	R505	ERDS2TJ104T	100K 1/4W	R559	ERDS1FVJ3R3T	3.3 1/2W Δ
R393	ERDS2TJ104T	100K 1/4W	R506	ERDS2TJ104T	100K 1/4W	R561	ERD2FCVG220T	22 1/4W Δ
R394	ERDS2TJ104T	100K 1/4W	R507	ERDS2TJ104T	100K 1/4W	R562	ERDS2TJ151T	150 1/4W
R395	ERDS2TJ682T	6.8K 1/4W	R508	ERDS2TJ104T	100K 1/4W	R563	ERDS2TJ823T	82K 1/4W
R396	ERDS2TJ682T	6.8K 1/4W	R509	ERD25FVJ470T	47 1/4W	R564	ERDS2TJ124T	120K 1/4W
R397	ERDS2TJ152T	1.5K 1/4W	R510	ERDS1FVJ222T	2.2K 1/2W	R565	ERDS2TJ563T	56K 1/4W
R398	ERDS2TJ152T	1.5K 1/4W	R511	ERDS2TJ563T	56K 1/4W	R601	ERDS2TJ101T	100 1/4W

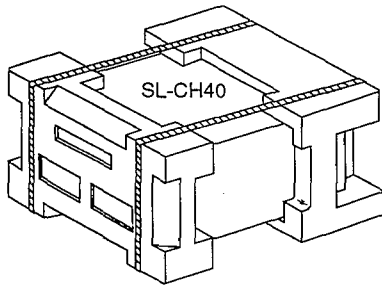
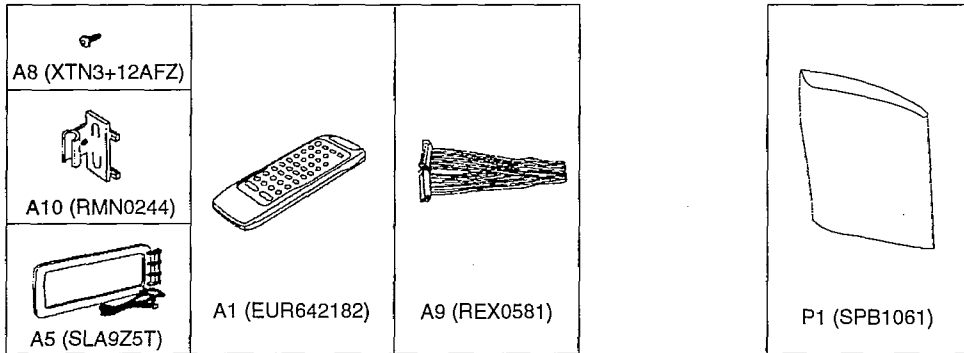
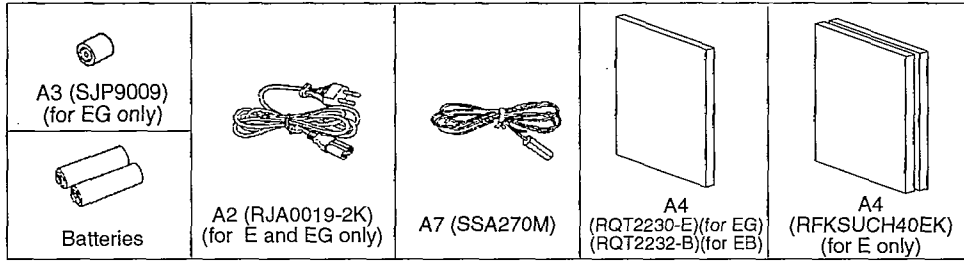
Ref. No.	Part No.	Values & Remarks	Ref. No.	Part No.	Values & Remarks	Ref. No.	Part No.	Values & Remarks
R602	ERDS2TJ101T	100 1/4W	R677	ERDS2TJ820T	82 1/4W	C126	ECFR1C473MR	0.047 16V
R603	ERDS2TJ104T	100K 1/4W	R678	ERDS2TJ820T	82 1/4W	C127	ECBT1C332MR5	3300P 16V
R604	ERDS2TJ561T	560 1/4W	R679	ERDS2TJ102T	1K 1/4W	C128	ECBT1C332MR5	3300P 16V
R605	ERDS2TJ104T	100K 1/4W	R680	ERDS2TJ104T	100K 1/4W	C129	ECBT1H151KB5	150P 50V
R607	ERDS2TJ473T	47K 1/4W	R681	ERDS2TJ104T	100K 1/4W	C130	ECBT1H151KB5	150P 50V
R608	ERDS2TJ473T	47K 1/4W	R682	ERDS2TJ104T	100K 1/4W	C131	ECBT1H221KB5	220P 50V
R611	ERDS2TJ104T	100K 1/4W	R683	ERDS2TJ104T	100K 1/4W	C132	ECBT1H221KB5	220P 50V
R612	ERDS2TJ102T	1K 1/4W	R684	ERDS2TJ104T	100K 1/4W	C133	ECEA1HKS010B	1 50V
R613	ERDS2TJ102T	1K 1/4W	R685	ERDS2TJ104T	100K 1/4W	C134	ECEA1HKA010B	1 50V
R614	ERDS2TJ102T	1K 1/4W	R686	ERDS2TJ103T	10K 1/4W	C137	ECFR1C183KR	0.018 16V
R615	ERDS2TJ102T	1K 1/4W	R687	ERDS2TJ102T	1K 1/4W	C138	ECFR1C183KR	0.018 16V
R616	ERDS2TJ102T	1K 1/4W	R688	ERDS2TJ102T	1K 1/4W	C139	ECEA1HU2R2B	2.2 50V
R617	ERDS2TJ102T	1K 1/4W	R689	ERDS2TJ104T	100K 1/4W	C140	ECEA1CKA100B	10 16V
R618	ERDS2TJ102T	1K 1/4W	R690	ERDS2TJ104T	100K 1/4W	C141	ECEA1HU0R1B	0.1 50V
R619	ERDS2TJ104T	100K 1/4W	R691	ERDS2TJ104T	100K 1/4W	C142	ECFR1C223MR	0.022 16V
R620	ERDS2TJ104T	100K 1/4W	R692	ERDS2TJ104T	100K 1/4W	C143	ECEA1HKA010B	1 50V
R621	ERDS2TJ104T	100K 1/4W	R693	ERDS2TJ104T	100K 1/4W	C144	ECEA1HKA010B	1 50V
R622	ERDS2TJ104T	100K 1/4W	R694	ERDS2TJ104T	100K 1/4W	C145	ECEA1CKA100B	10 16V
R623	ERDS2TJ472T	4.7K 1/4W	R695	ERDS2TJ104T	100K 1/4W	C146	ECEA1CKA100B	10 16V
R624	ERDS2TJ472T	4.7K 1/4W	R696	ERDS2TJ104T	100K 1/4W	C150	ECEA1AU470B	47 10V
R625	ERDS2TJ681T	680 1/4W	R698	ERDS2TJ104T	100K 1/4W	C151	ECEA1HKA010B	1 50V
R626	ERDS2TJ334T	330K 1/4W				C152	ECEA1HKA010B	1 50V
R627	ERDS2TJ333T	33K 1/4W		CAPACITORS		C153	ECBT1H102KB5	1000P 50V
R628	ERDS2TJ333T	33K 1/4W				C154	ECBT1H102KB5	1000P 50V
R629	ERDS2TJ182T	1.8K 1/4W	C101	ECBT1H821KB5	820P 50V	C155	ECEA1CKA100B	10 16V
R630	ERDS2TJ182T	1.8K 1/4W	C102	ECBT1H821KB5	820P 50V	C156	ECEA1CKA100B	10 16V
R645	ERDS2TJ106T	10M 1/4W	C104	ECFR1C223MR	0.022 16V	C157	ECBT1H681KB5	680P 50V
R646	ERDS2TJ820T	82 1/4W	C105	ECBT1H471KB5	470P 50V	C158	ECBT1H681KB5	680P 50V
R647	ERDS2TJ104T	100K 1/4W	C106	ECBT1H471KB5	470P 50V	C159	ECBT1C682KR5	6800P 16V
R648	ERDS2TJ104T	100K 1/4W	C108	ECEA1AU330B	33 10V	C160	ECBT1C682KR5	6800P 16V
R649	ERDS2TJ102T	1K 1/4W	C109	ECEA1AU101B	100 10V	C161	ECEA1CU101B	100 16V
R650	ERDS2TJ102T	1K 1/4W	C110	ECFR1E104ZF5	0.1 25V	C162	ECEA0JU471B	470 6.3V
R655	ERDS2TJ104T	100K 1/4W	C111	ECBT1H331KB5	330P 50V	C163	ECEA1HKA010B	1 50V
R656	ERDS2TJ104T	100K 1/4W	C112	ECBT1H331KB5	330P 50V	C164	ECEA1HKA010B	1 50V
R661	ERDS2TJ682T	6.8K 1/4W	C113	ECEA0JU221B	220 6.3V	C165	ECEA1CKA100B	10 16V
R662	ERDS2TJ682T	6.8K 1/4W	C114	ECEA0JU221B	220 6.3V	C166	ECEA1CKA100B	10 16V
R663	ERDS2TJ182T	1.8K 1/4W	C115	ECFR1C333JR	0.033 16V	C167	ECEA50ZR68B	0.68 50V
R664	ERDS2TJ182T	1.8K 1/4W	C116	ECFR1C333JR	0.033 16V	C168	ECEA50ZR68B	0.68 50V
R665	ERDS2TJ123T	12K 1/4W	C117	ECEA1HKA010B	1 50V	C169	ECEA1EU4R7B	4.7 25V
R666	ERDS2TJ123T	12K 1/4W	C118	ECEA1HKA010B	1 50V	C170	ECEA1EU4R7B	4.7 25V
R670	ERDS2TJ102T	1K 1/4W	C119	ECEA1EU4R7B	4.7 25V	C171	ECEA1CKA100B	10 16V
R671	ERDS2TJ820T	82 1/4W	C120	ECEA1EU4R7B	4.7 25V	C172	ECEA1CU220B	22 16V
R672	ERDS2TJ820T	82 1/4W	C121	ECEA1HKA010B	1 50V	C173	ECBT1C103MS5	0.01 16V
R673	ERDS2TJ820T	82 1/4W	C122	ECEA1HKA010B	1 50V	C174	ECEA1EU4R7B	4.7 25V
R674	ERDS2TJ820T	82 1/4W	C123	ECBT1H102KB5	1000P 50V	C175	ECEA1CU101B	100 16V
R675	ERDS2TJ820T	82 1/4W	C124	ECBT1H102KB5	1000P 50V	C176	ECQV1H473JZ3	0.047 50V
R676	ERDS2TJ820T	82 1/4W	C125	ECFR1C473MR	0.047 16V	C177	ECBT1H102KB5	1000P 50V

Ref. No.	Part No.	Values & Remarks	Ref. No.	Part No.	Values & Remarks	Ref. No.	Part No.	Values & Remarks
C178	ECBT1H102KB5	1000P 50V	C335	ECFR1C123KR	0.012 16V	C394	ECEA1HKAR68B	0.68 50V
C179	ECBT1C103MS5	0.01 16V	C336	ECFR1C123KR	0.012 16V	C395	ECEA1HKAR68B	0.68 50V
C180	ECFR1C103MR	0.01 16V	C337	ECEA1HK2R2B	2.2 50V	C396	ECEA1HKAR68B	0.68 50V
C181	ECBT1C103MS5	0.01 16V	C338	ECEA1HK2R2B	2.2 50V	C399	ECEA1HKA4R7B	4.7 50V
C182	ECEA1EU4R7B	4.7 25V	C339	ECEA1CKA100B	10 16V	C400	ECEA1HKA4R7B	4.7 50V
C183	ECQV1H474JZ3	0.47 50V	C340	ECEA1CKA100B	10 16V	C401	ECEA1HKA4R7B	4.7 50V
C184	ECQP1152JZ	1500P 100V	C341	ECBT1H820KB5	82P 50V	C402	ECEA1HKA4R7B	4.7 50V
C185	ECQP1472JZT	4700P 100V	C342	ECBT1H820KB5	82P 50V	C403	ECBT1C332KR5	3300P 16V
C186	ECEA1AU470B	47 10V	C343	ECBT1H102KB5	1000P 50V	C404	ECBT1C332KR5	3300P 16V
C187	ECBT1H471KB5	470P 50V	C344	ECBT1H102KB5	1000P 50V	C405	ECEA1CKA100B	10 16V
C188	ECBT1H471KB5	470P 50V	C347	ECBT1H101KB5	100P 50V	C406	ECEA1CKA100B	10 16V
C189	ECQP1272JZ	2700P 100V	C348	ECBT1H101KB5	100P 50V	C410	ECEA1HK010B	1 50V
C190	ECBT1C103MS5	0.01 16V	C349	ECBT1H101KB5	100P 50V	C411	ECEA1CKA100B	10 16V
C201	ECEA1CU101B	100 16V	C350	ECBT1H101KB5	100P 50V	C412	ECEA1CKA100B	10 16V
C202	ECFR1E104ZF5	0.1 25V	C351	ECEA1HK010B	1 50V	C421	ECBT1H101KB5	100P 50V
C302	ECBT1E103ZF5	0.01 25V	C352	ECEA1HK010B	1 50V	C422	ECBT1H101KB5	100P 50V
C303	ECBT1E103ZF5	0.01 25V	C353	ECEA1HK010B	1 50V	C423	ECBT1H181KB5	180P 50V
C305	ECBT1C682KR5	6800P 16V	C354	ECEA1HK010B	1 50V	C424	ECBT1H181KB5	180P 50V
C306	ECBT1C682KR5	6800P 16V	C355	ECEA1CKA100B	10 16V	C501	ECEA1HKA0R1B	0.1 50V
C307	ECBT1C222KR5	2200P 16V	C356	ECEA1CKA100B	10 16V	C502	ECEA1HKA0R1B	0.1 50V
C308	ECBT1C222KR5	2200P 16V	C357	ECBT1H391KB5	390P 50V	C503	ECBT1H331KB5	330P 50V
C309	ECFR1C223KR	0.022 16V	C358	ECBT1H391KB5	390P 50V	C504	ECBT1H331KB5	330P 50V
C310	ECFR1C223KR	0.022 16V	C359	ECEA0JKA101B	100 6.3V	C505	ECBT1H821KB5	820P 50V
C311	ECBT1C682KR5	6800P 16V	C360	ECEA0JKA101B	100 6.3V	C506	ECBT1H821KB5	820P 50V
C312	ECBT1C682KR5	6800P 16V	C361	ECBT1H271KB5	270P 50V	C507	ECBT1H150J5	15P 50V
C313	ECEA1HKA0R1B	0.1 50V	C362	ECBT1H271KB5	270P 50V	C508	ECBT1H150J5	15P 50V
C314	ECEA1HKA0R1B	0.1 50V	C363	ECEA1HKAR47B	0.47 50V	C509	ECEA1HU330B	33 50V
C315	ECFR1C333KR	0.033 16V	C364	ECEA1HKAR47B	0.47 50V	C510	ECEA2AU100B	10 100V
C316	ECFR1C333KR	0.033 16V	C365	ECFR1C823MR	0.082 16V	C511	ECKR1H473ZF5	0.047 50V
C317	ECEA1HKR15B	0.15 50V	C366	ECBT1C472KR5	4700P 16V	C512	ECKR1H473ZF5	0.047 50V
C318	ECEA1HKR15B	0.15 50V	C367	ECEA1CN100SB	10 16V	C513	ECEA1HKA010B	1 50V
C319	ECFR1C823MR	0.082 16V	C368	ECFR1C223KR	0.022 16V	C514	ECEA1HKA010B	1 50V
C320	ECFR1C823MR	0.082 16V	C369	ECEA1HK010B	1 50V	C516	ECKR1H103ZF5	0.01 50V Δ
C321	ECBT1E103ZF5	0.01 25V	C370	ECEA1CKA101B	100 16V	C517	ECKR1H103ZF5	0.01 50V Δ
C322	ECBT1H102KB5	1000P 50V	C371	ECEA1HKA4R7B	4.7 50V	C518	ECKR1H103ZF5	0.01 50V Δ
C323	ECBT1H101KB5	100P 50V	C372	ECEA1CKA100B	10 16V	C519	ECKR1H103ZF5	0.01 50V Δ
C324	ECEA1AU471B	470 10V	C375	ECBT1H470J5	47P 50V	C520	ECEA1CU470B	47 16V
C325	ECEA1CKA100B	10 16V	C376	ECBT1H470J5	47P 50V	C521	ECEA1CU221B	220 16V
C326	ECEA1CKA100B	10 16V	C377	ECBT1H470J5	47P 50V	C523	ECEA0JKA101B	100 6.3V
C327	ECBT1C152MR5	1500P 16V	C378	ECBT1E103ZF5	0.01 25V	C524	ECKR1H103ZF5	0.01 50V
C328	ECBT1C152MR5	1500P 16V	C379	ECBT1E103ZF5	0.01 25V	C525	ECKR1H103ZF5	0.01 50V
C329	ECBT1H681KB5	680P 50V	C380	ECEA1CKA100B	10 16V	C526	ECEA1HKA220B	22 50V
C330	ECBT1H681KB5	680P 50V	C381	ECFR1C473KR	0.047 16V	C528	ECEA1AKA470B	47 10V
C331	ECEA1HKAR47B	0.47 50V	C389	ECBT1E103ZF5	0.01 25V	C529	ECKR1H103ZF5	0.01 50V
C332	ECEA1HKAR47B	0.47 50V	C390	ECEA1CKA100B	10 16V	C530	ECEA1HU102E	1000 50V Δ
C333	ECEA1HKAR22B	0.22 50V	C391	ECEA1AKA101B	100 10V	C531	ECKR1H103ZF5	0.01 50V Δ
C334	ECEA1HKAR22B	0.22 50V	C392	ECEA1HK2R2B	2.2 50V	C532	ECEA0JU101B	100 6.3V Δ

Ref. No.	Part No.	Values & Remarks	Ref. No.	Part No.	Values & Remarks	Ref. No.	Part No.	Values & Remarks
C533	ECKR1H103ZF5	0.01 50V Δ	C623	ECBT1H560J5	56P 50V			
C535	ECEA1CU101B	100 16V Δ	C624	ECBT1H560J5	56P 50V			
C536	ECKR1H103ZF5	0.01 50V Δ	C625	ECBT1H220JC5	22P 50V			
C537	ECEA1CKA101B	100 16V Δ	C626	ECBT1H180JC5	18P 50V			
C538	ECKR1H103ZF5	0.01 50V Δ	C627	ECEA1HKA2R2B	2.2 50V			
C539	ECKR1H103ZF5	0.01 50V	C628	ECEA1HKA2R2B	2.2 50V			
C540	ECKR1H103ZF5	0.01 50V (EG)	C639	ECBT0J223NS5	0.022 6.3V			
C541	ECEA1HU222E	2200 50V Δ	C640	ECEA1HKAR22B	0.22 50V			
C542	ECEA1HU222E	2200 50V Δ	C641	ECBT1C103MS5	0.01 16V			
C543	ECKR1H103ZF5	0.01 50V (EG)	C642	ECBT1H101KB5	100P 50V			
C544	ECKR1H103ZF5	0.01 50V (EG)	C643	ECBT1H101KB5	100P 50V			
C547	ECEA1HKA220B	22 50V	C644	ECEA1HKAR33B	0.33 50V			
C548	ECKR1H103ZF5	0.01 50V	C645	ECBT1H220JC5	22P 50V			
C549	ECEA1HU101B	100 50V	C646	ECBT1H220JC5	22P 50V			
C550	ECQE1224KZ	0.22 100V	C651	ECBT1H331KB5	330P 50V			
C551	ECBT1H101KB5	100P 50V (EG)	C652	ECBT1H331KB5	330P 50V			
C552	ECBT1H101KB5	100P 50V (EG)	C951	ECBT1H101KB5	100P 50V (D 1)			
C553	ECKR1H103ZF5	0.01 50V (E/EB)	C971	ECBT1H101KB5	100P 50V (D 2)			
C553	ECKR1H223ZF5	0.022 50V (EG)						
C554	ECKR1H103ZF5	0.01 50V (E/EB)						
C554	ECKR1H223ZF5	0.022 50V (EG)						
C555	ECBT1H101KB5	100P 50V (EG)						
C556	ECBT1H101KB5	100P 50V (EG)						
C557	ECBT1H101KB5	100P 50V (EG)						
C559	ECBT1C103MS5	0.01 16V (EG)						
C561	ECBT1H101KB5	100P 50V (EG)						
C562	ECBT1H101KB5	100P 50V (EG)						
C601	ECEA1HK3R3B	3.3 50V						
C601	ECEA1HKA3R3B	3.3 50V						
C602	ECEA1HKA3R3B	3.3 50V						
C603	ECEA1HKA010B	1 50V						
C604	ECEA0JKA101B	100 6.3V						
C605	ECBT1H102KB5	1000P 50V						
C606	ECBT1H561KB5	560P 50V						
C607	ECBT1H561KB5	560P 50V						
C608	ECBT1H561KB5	560P 50V						
C609	ECEA0JKA470B	47 6.3V						
C610	ECEA0JU102B	1000 6.3V						
C611	ECBT1H102KB5	1000P 50V						
C612	ECEA0JU102B	1000 6.3V						
C613	ECEA1AKA220B	22 10V						
C614	ECBT1C103MS5	0.01 16V						
C617	ECBT1C103MS5	0.01 16V						
C619	ECBT1H102KB5	1000P 50V						
C620	ECBT1H102KB5	1000P 50V						
C621	ECBT1H680J5	68P 50V						
C622	ECBT1H680J5	68P 50V						

■ PACKAGING (SD-CH40)

880



P4 (RPN0761) : 1 pair

